

REFERENCE STANDARD 2A/2B

SPECIFICATIONS

ACOUSTIC & ELECTRICAL SPECIFICATIONS:

- Drivers: For each channel:
Two 10-inch polypropylene woofers.
Three EMIT tweeters, one facing rearward, and three EMIM midrange drivers
- Frequency Response: 29 to 32,000 Hz ± 2 dB
Suggested for use with amplifiers or receivers of: 60 through 250 watts per channel RMS
- Crossover Frequencies: 150Hz, 800 Hz, 4,000 Hz, and 8,000 Hz
- Nominal Impedance: 4 ohms
- Finish: Hand rubbed oak veneers and solids
- Dimensions: 48 inches x 22 3/4 wide x 18 deep (160.6 cm x 66.25 wide x 36.25)
- Shipping Weight: 200 lbs per system

PRODUCTION HISTORY:

- Introduced in 1984
- Discontinued in 1987
- Original Retail Price: 2,700.00 System

PHYSICAL SPECIFICATIONS:

COSMETIC PARTS:

Grille Assy. .025...1986B

CROSSOVER PARTS:

Pot 5 Ohm 5W .145...0103

Pot 5 Ohm 15W .145...0110

Fuse Holder .550...0363

Fuse 1.25A AGC .870...0010

Fuse 2.5A AGC .870...0024

AC Adaptor 110-14V NLA

Active Crossover NLA

DRIVERS (TRANSDUCERS)

EMIM Mid Rev. B/C .902...0012B

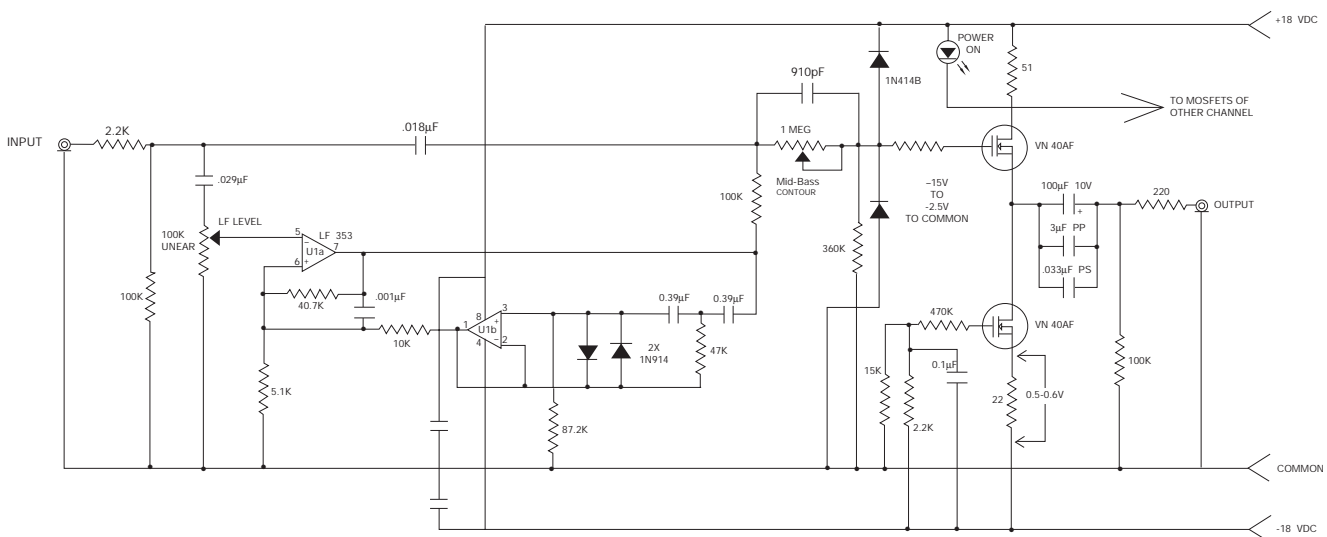
10" WFR Poly Clear .902...2279A (Substitute only)

EMIT Twt Sq/Blk .902...5086

Diaph Assy. Kit Tweeter .751...3722

EMIT Diaph. Assy. Midrange .751...3806

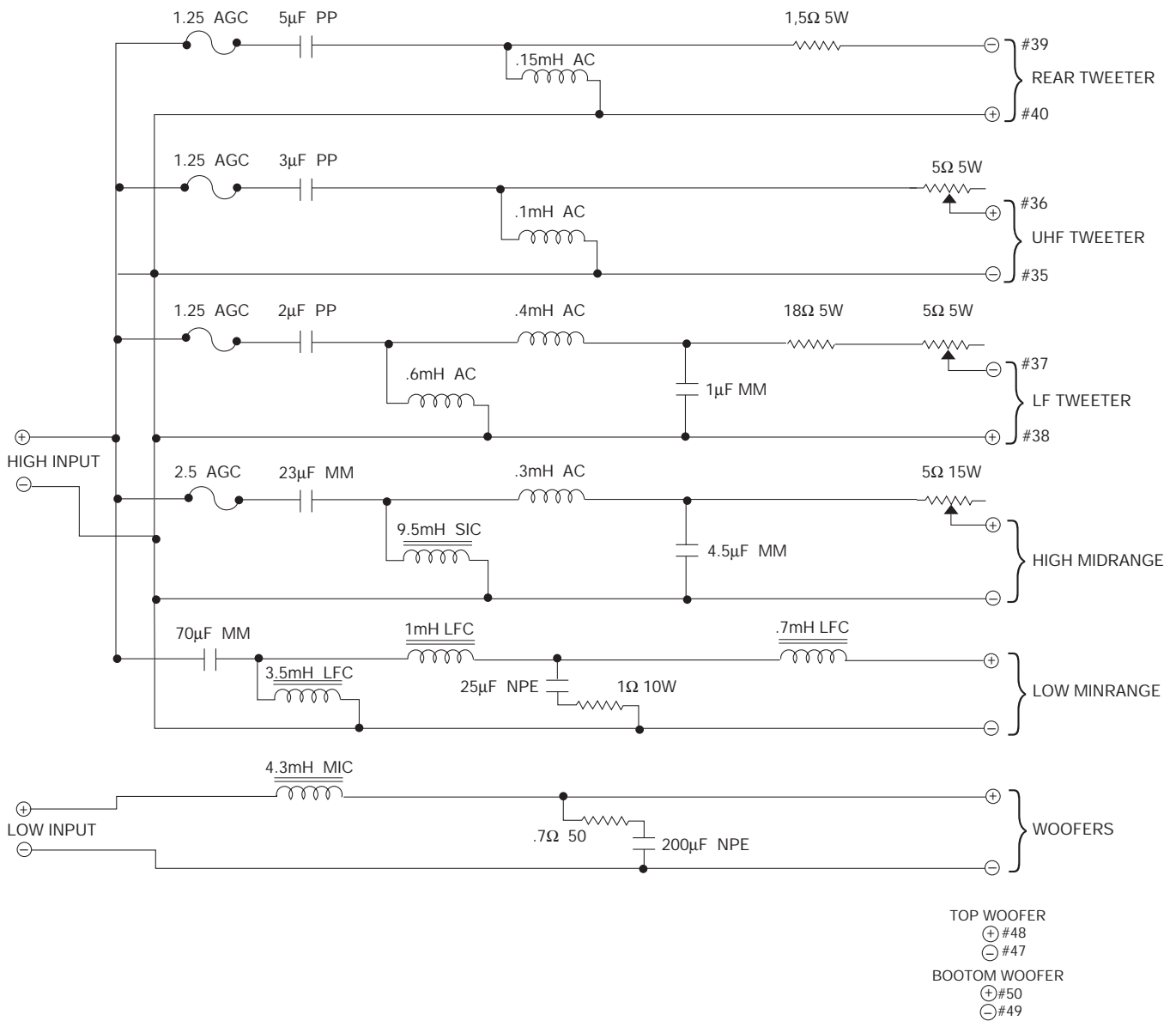
TECHNICAL SPECIFICATIONS



REFERENCE STANDARD 2A/2B

REFERENCE STANDARD 2A/2B

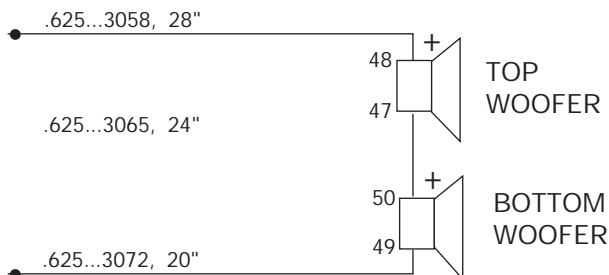
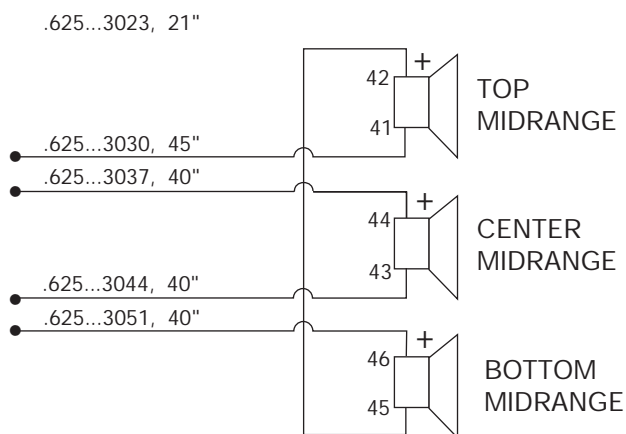
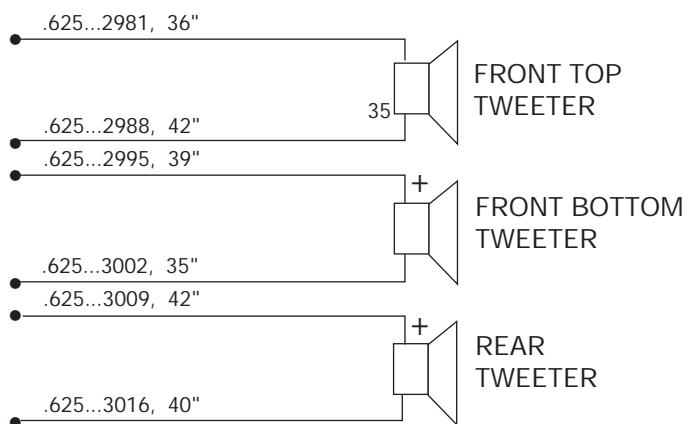
TECHNICAL SPECIFICATIONS



REFERENCE STANDARD 2A/2B

REFERENCE STANDARD 2A/2B

TECHNICAL SPECIFICATIONS



REFERENCE STANDARD2A/2B