

# REFERENCE STANDARD 2.5

## SPECIFICATIONS

---

- Frequency Response: 30 through 32,000 Hz  $\pm$ 3 dB
- Horizontal Dispersion: -2 dB @ 60° right or left (20 kHz)
- Suggested for use with amplifiers of: 100 to 300 watts per channel
- Nominal Impedance: 4 ohms
- Drivers: For each channel:
  - (a) one 12-inch (30cm) Infinity-Watkins Dual-Drive Woofer with polypropylene cone;
  - (b) two EMIM (Electromagnetic Induction Midrange) drivers in dipole configuration;
  - (c) two EMIT (Electromagnetic Induction Tweeters), one of them facing rearward
- Crossover Frequencies: 300Hz (adjustable with optional electronic crossover control) and 5,000 Hz
- Dimensions: 51 inches x 18 wide x 11 (129 cm x 46 wide x 28)
- Shipping Weight: 117 pounds (53 kgs) each
- Finish: Solid oak and veneers. Cloth grille and its frame are removable
- Warranty: Five years, transferable (see complete warranty statement)

### PRODUCTION HISTORY:

- Introduced in 1979
- Discontinued in 1982
- Original Retail Price: \$2,300.00

### PHYSICAL SPECIFICATIONS:

#### CROSSOVER PARTS:

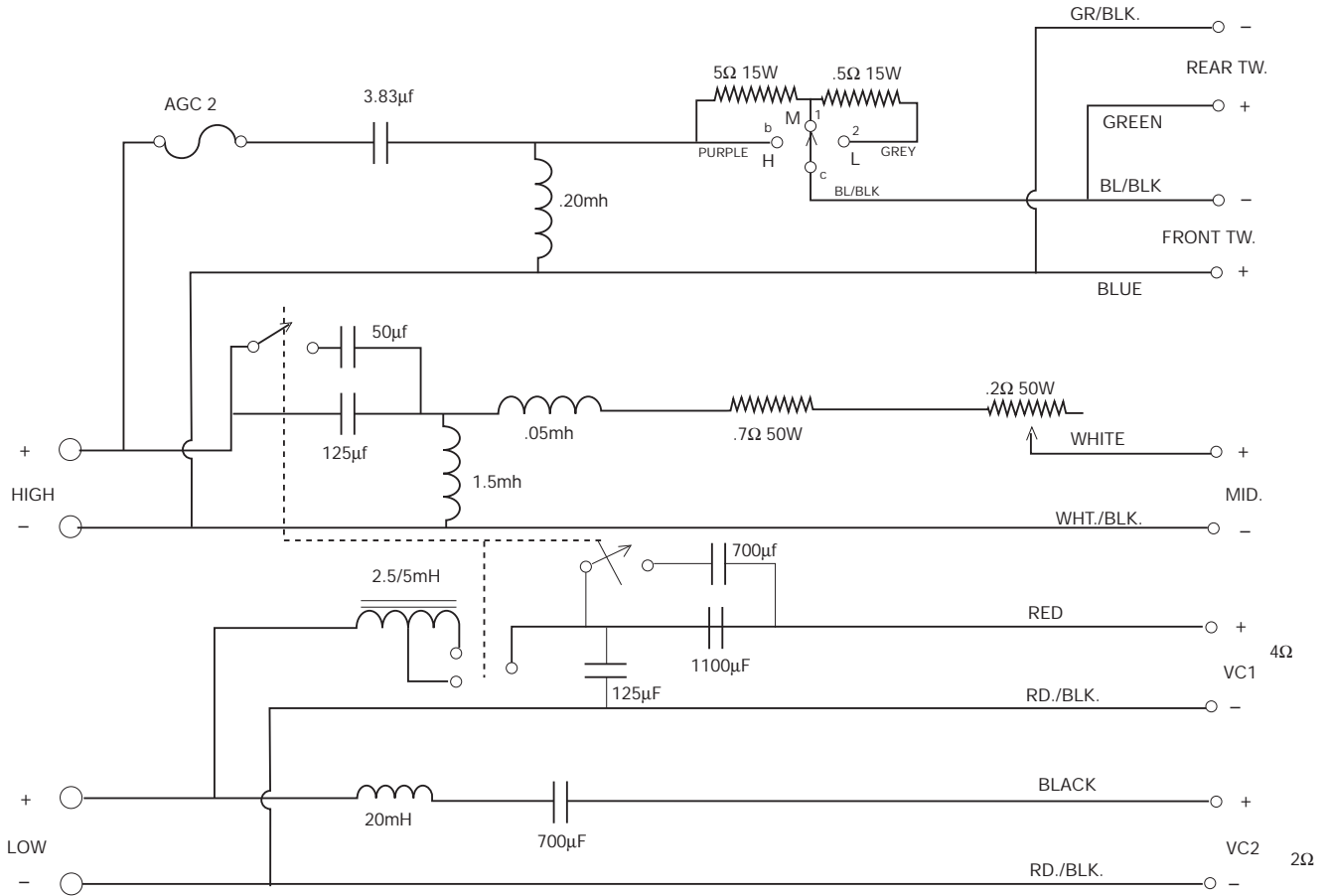
Fuse 2A AGC	.870...0017
Fuse Holder	.550...0062
Pot 2 Ohm 50W	.145...0243

#### DRIVERS (TRANSDUCERS)

12" WFR Watkins	.902...1180
EMIM Mid Rev. B/C	.902...0012C
EMIT Twt Sq/Blk	.902...2252
EMIT Diaph. 1/2 LS	.751...3722
EMIM Diaph Assy.	.751...3806

# REFERENCE STANDARD 2.5

## TECHNICAL SPECIFICATIONS

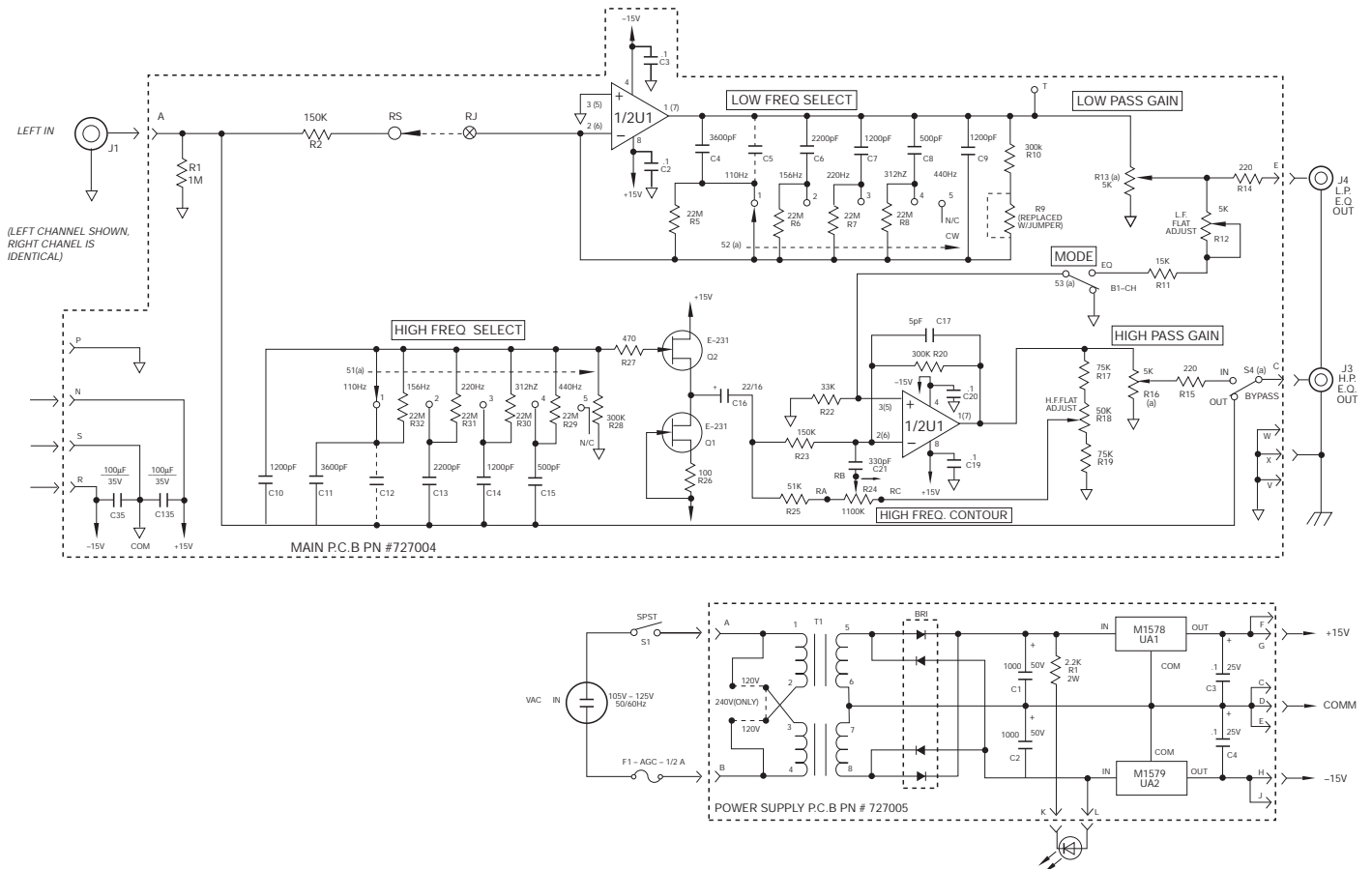


REFERENCE STANDARD 2.5

# REFERENCE STANDARD 2.5/4.5 E.C.U.

## TECHNICAL SPECIFICATIONS

### ELECTRONIC CONTROL UNIT



REFERENCE STANDARD 2.5/4.5